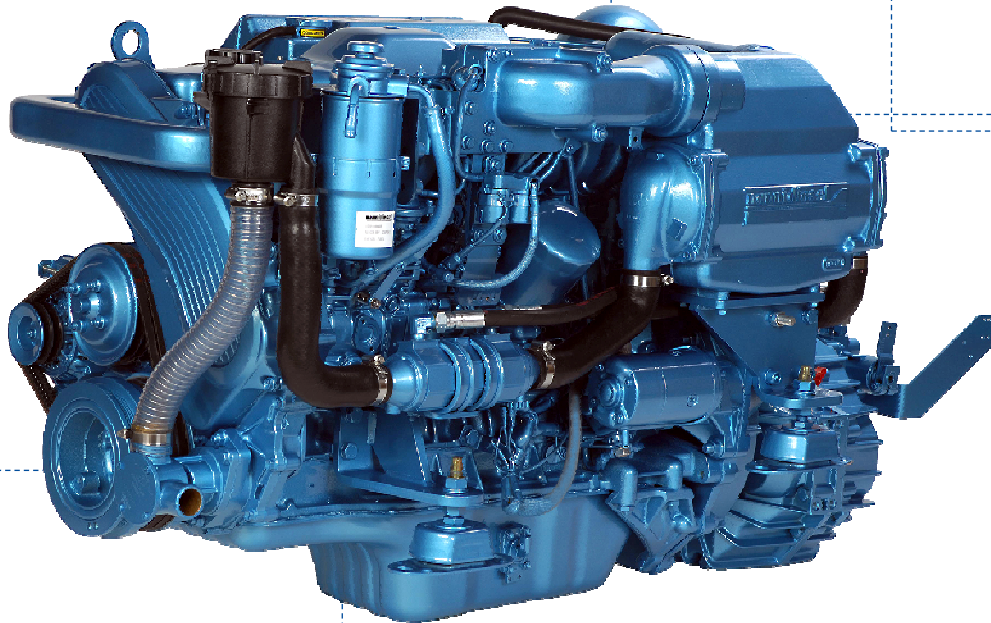


## 6.420 TDI



TOYOTA  
Base

235,5 kW (320 hp)



ULTRA LOW  
EMISSION

NANNI DIESEL engines  
respect the emissions standards  
US-EPA and EU-2006

The engine illustrated above is not necessarily identical to the standard production engine. The specifications are subject to change without notice.

The specifications are defined for marine pleasure use. For every other application, please consult us.

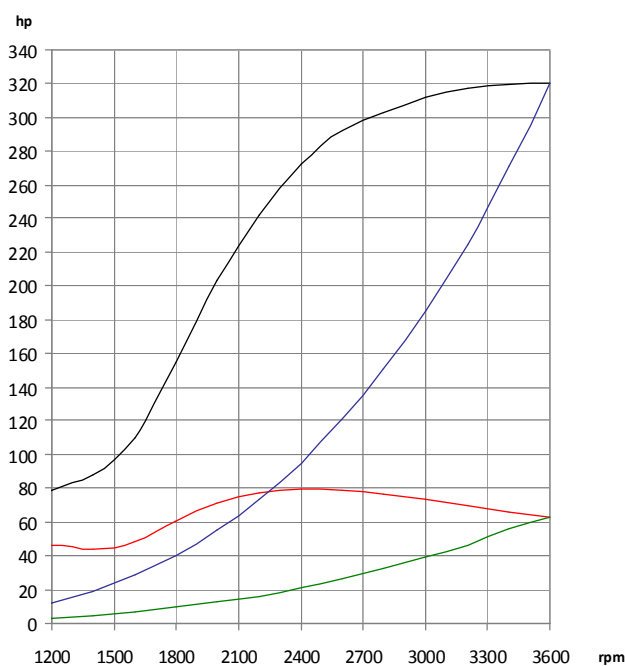
### Technical specifications

Power *	235,5 kW (320 hp)
Max RPM *	3600 RPM
Displacement	4 163 cc
Number of cylinders	6 in line
Bore and stroke	94 mm x 100 mm (3,7" x 3,94")
Compression ratio	15,7 / 1
Combustion system	Direct
Intake	Turbo intercooler
Cooling	Heat exchanger
El. equipment / Alternator	12 V / 80 A
Instrument panel	C3
Transmission	Hydraulic TTM50A (8° angle)
Engine Max Install. Angle	7°
Dry weight (with ZF63A)	469 kg

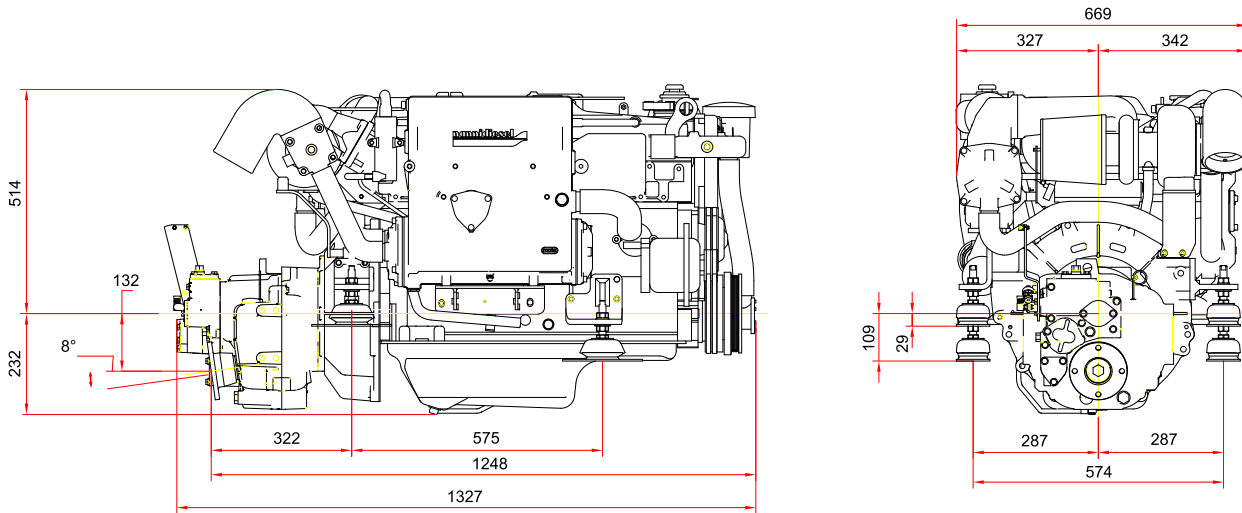
### Connections

Exhaust	104 mm (4,1")
Fuel	10 mm (0,39")
Sea Water	38 mm (1,5")

\* At engine flywheel, according to ISO 8665-1



— Max power (HP)  
— Max torque (daN.m)  
— Propeller power curve (hp)  
— Fuel consumption on propeller curve (l/h)



## STANDARD EQUIPMENT

- C3 Instrument Panel
  - Oil Pressure Warning Light & Audio Alarm
  - Water temperature Warning Light & Audio Alarm
  - Battery Charge
  - Warning and audio alarm water in fuel
  - Tachometer / hour meter
  - Water temperature indicator
  - Oil pressure indicator
  - Voltmeter
  - Starter Key
- Warranty Certificate
- Exhaust manifold With water injection
- Fresh water cooled exhaust manifold
- Heat exchanger
- Compressed air cooler
- Electrical braid 6 meters
- Fuel filter W. audio alarm (Water)
- Sea-water filter
- Hydraulic transmission
- User manual
- Fresh Water pump
- Fuel pump
- Extraction oil pump
- Sea-water pump
- Prearrangement for control cables
- Oil cooler integrated
- Electrical Stop
- Engine Mounts
- Electrical Wiring 12 V
- Thermostat

## OPTIONAL EQUIPMENT

- Remote control
- Coupling
- Flying bridge instrument panel
- Separated instruments
- V transmission
- Propeller shaft
- Extension harness
- Exhaust system
- Fuel hoses
- Sea water hoses



DEALER'S STAMP

